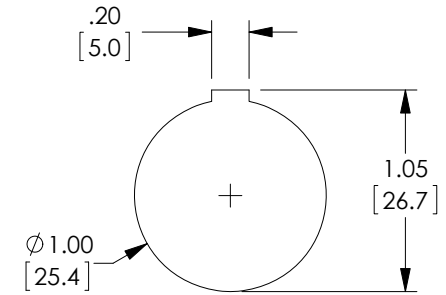
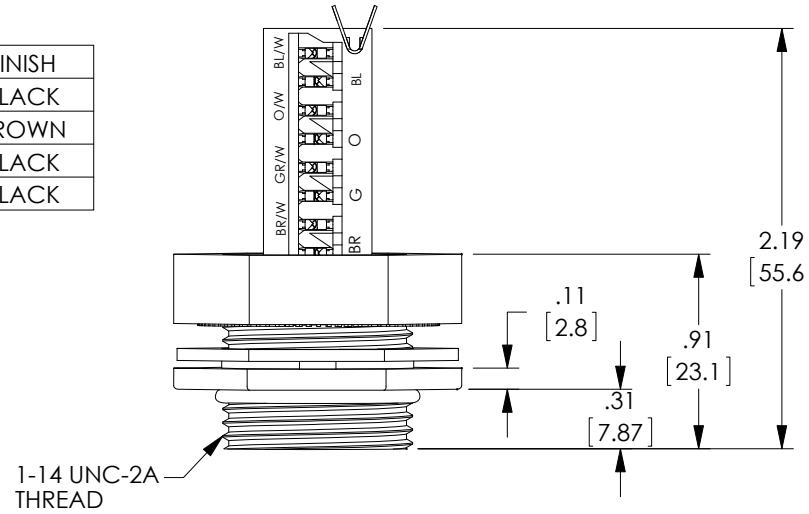


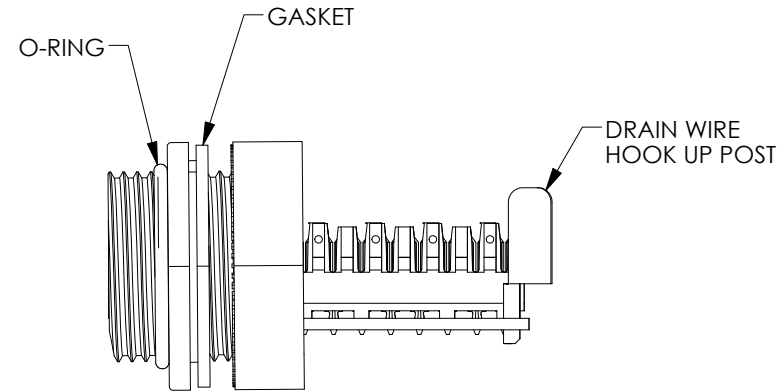
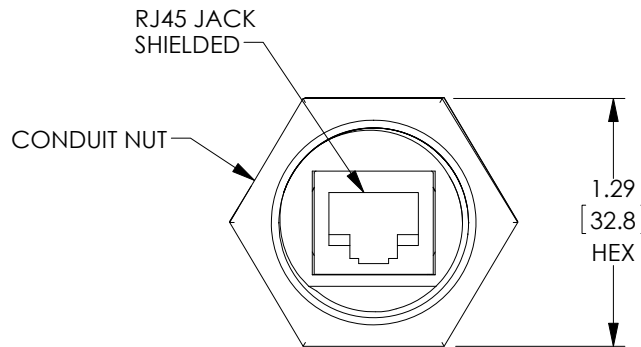
THE INFORMATION CONTAINED IN THIS DRAWING IS THE SOLE PROPERTY OF L-COM, INC. ANY REPRODUCTION IN PART OR WHOLE WITHOUT THE WRITTEN PERMISSION OF L-COM, INC. IS PROHIBITED.

REVISIONS			
REV	DESCRIPTION	DATE	APPROVED
A	INITIAL RELEASE	5/18/11	D.FRISIELLO
B	ECN 8808: REVISED PER VENDOR DATA SHEET	6/6/17	D.FRISIELLO

DESCRIPTION	MATERIAL	FINISH
HOUSING	ABS	BLACK
O-RING	VITON	BROWN
GASKET	NITRILE	BLACK
HEX NUT	LNP	BLACK



RECOMMENDED  
PANEL CUTOUT:  
PANEL THK: .125" MAX W/GASKET  
.187" MAX W/OUT GASKET  
.062" MIN.



NOTES:

ALL DIMENSIONS ARE FOR REFERENCE ONLY.

INGRESS PROTECTION RATING: IP67

COMPONENT ASSEMBLY SHALL BE INDIVIDUALLY PACKAGED IN ACCORDANCE WITH L-COM SPECIFICATION PS-0031.

**REGULATORY COMPLIANCE:**  
CE2011/65/EU (RoHS DIRECTIVE)

UNLESS OTHERWISE SPECIFIED, DIMENSIONS ARE IN INCHES [mm] OVERALL CABLE LENGTH TOLERANCE: ≤12 [305] = +1 [25] / -0 >12 [305] ≤60 [1524] = +2 [51] / -0 >60 [1524] ≤120 [3048] = +4 [102] / -0 >120 [3048] ≤300 [7620] = +6 [152] / -0 >300 [7620] = +5% / -0% ALL OTHER DIMENSIONAL TOLERANCES: .X = ± .2 [5.08] .XX = ± .02 [51] .XXX = ± .005 [1.27]	APPROVALS D.FRISIELLO CHECKED BY D/GALLAGHER APPROVED BY D/GALLAGHER	DATE 5/18/11 5/18/11 5/18/11		50 HIGH STREET NORTH ANDOVER, MA 01845
	CONFIGURATION DETAILS OF UNDIMENSIONED FEATURES MAY VARY		CATEGORY <b>TELECOM/MODULAR</b>	PRODUCT DESCRIPTION <b>IND CAT5E SHLD JK 568A/B</b>
PROJECTION 	COLOR VARIATIONS MAY OCCUR	SIZE <b>A</b>	FSCM NO. <b>43321</b>	DWG. NO. <b>WJR2FB5</b>
		SCALE: NONE	CAD FILE: WJR2FB5.SLDDRW	REV. <b>B</b> SHEET 1 OF 1