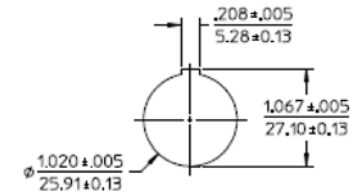
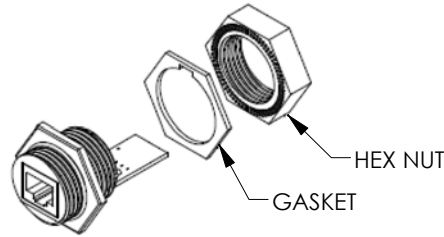


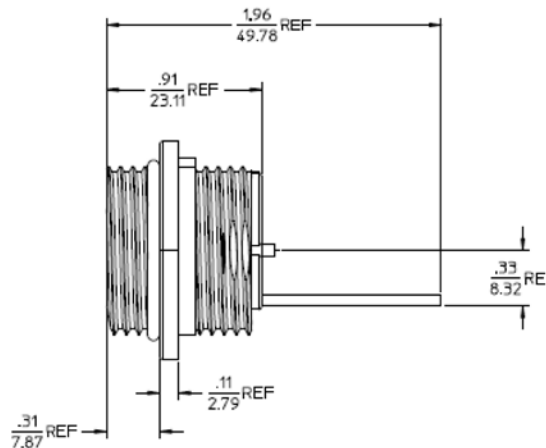
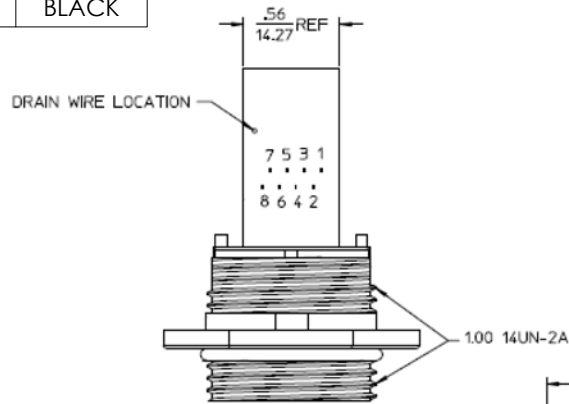
THE INFORMATION CONTAINED IN THIS DRAWING IS THE SOLE PROPERTY OF L-COM, INC. ANY REPRODUCTION IN PART OR WHOLE WITHOUT THE WRITTEN PERMISSION OF L-COM, INC. IS PROHIBITED.

REVISIONS			
REV	DESCRIPTION	DATE	APPROVED
A	INITIAL RELEASE	6/13/17	D.FRISIELLO

DESCRIPTION	MATERIAL	FINISH
RJ45 W/PCB SUB ASSY	-	-
HOUSING	ABS	BLACK
O-RING	VITON	BROWN
BULKHEAD GASKET	NITRILE	BLACK
HEX NUT	LNP	BLACK



PANEL CUT OUT
 PANEL THK: .125 MAX. W/GASKET
 .187 MAX. W/OUT GASKET
 .062 MIN.



GASKET AND HEX NUT
 REMOVED FOR CLARITY

NOTES:

ELECTRICAL:
 FIELD WIRING TO PCB: 8 THRU HOLES, PLUS SHIELD
 MAX. VOLTAGE: 125V DC
 MAX. CURRENT: 1.5A
 IP PROTECTION: IP67
 TEMPERATURE RANGE: -20° C TO 80° C
 CSA & UL RATED

COMPONENT SHALL BE INDIVIDUALLY PACKAGED IN
 ACCORDANCE WITH L-COM SPEC. PS-0031.

REGULATORY COMPLIANCE:
 CE2011/65/EU(RoHS DIRECTIVE)

UNLESS OTHERWISE SPECIFIED, DIMENSIONS ARE IN INCHES [mm] OVERALL CABLE LENGTH TOLERANCE: ≤12 [305] = +1 [25] / -0 >12 [305] ≤60 [1524] = +2 [51] / -0 >60 [1524] ≤120 [3048] = +4 [102] / -0 >120 [3048] ≤300 [7620] = +6 [152] / -0 >300 [7620] = +5% / -0% ALL OTHER DIMENSIONAL TOLERANCES: .X = ± .2 [5.08] .XX = ± .02 [51] .XXX = ± .005 [1.27]	APPROVALS DRAWN BY D.FRISIELLO CHECKED BY M.MARTINEZ APPROVED BY D.GUITADAURO	DATE 6/7/17 6/9/17 6/9/17	50 HIGH STREET NORTH ANDOVER, MA 01845			
	CONFIGURATION DETAILS OF UNDIMENSIONED FEATURES MAY VARY			CATEGORY TELECOM/MODULAR		
	PROJECTION 	COLOR VARIATIONS MAY OCCUR	SIZE A	FSCM NO. 43321	DWG. NO. WJR1FB5	REV. A
	SCALE: NONE		CAD FILE: WJR1FB5.SLDDRW		SHEET 1 OF 1	