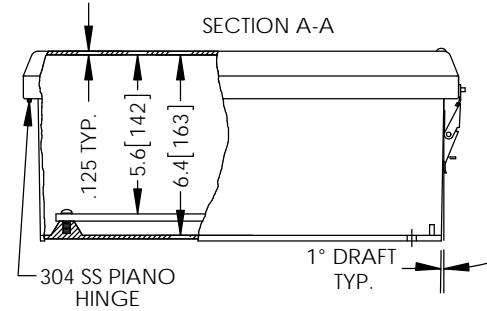
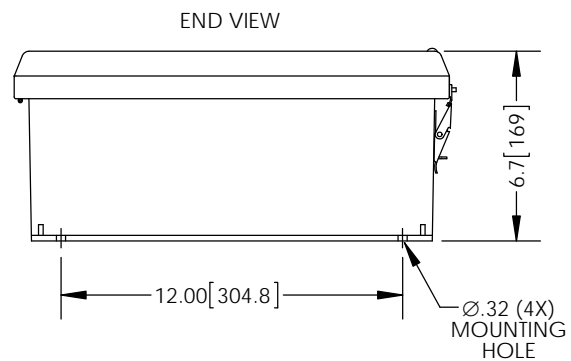
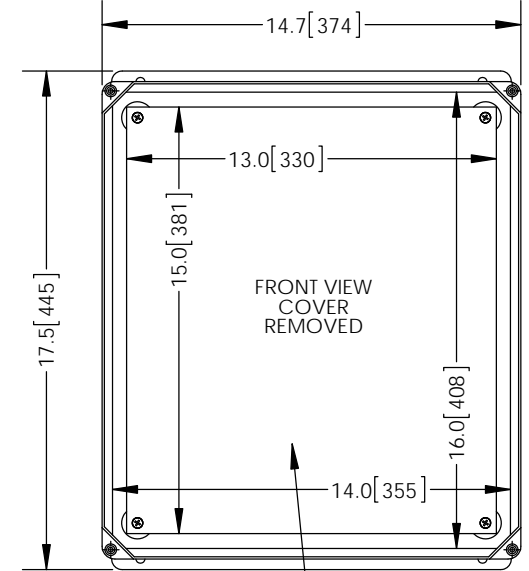
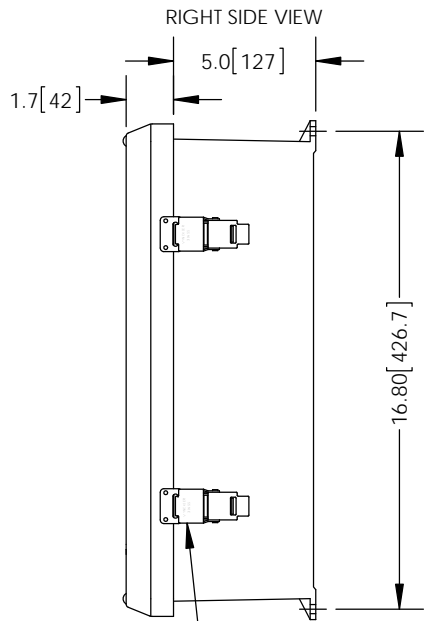
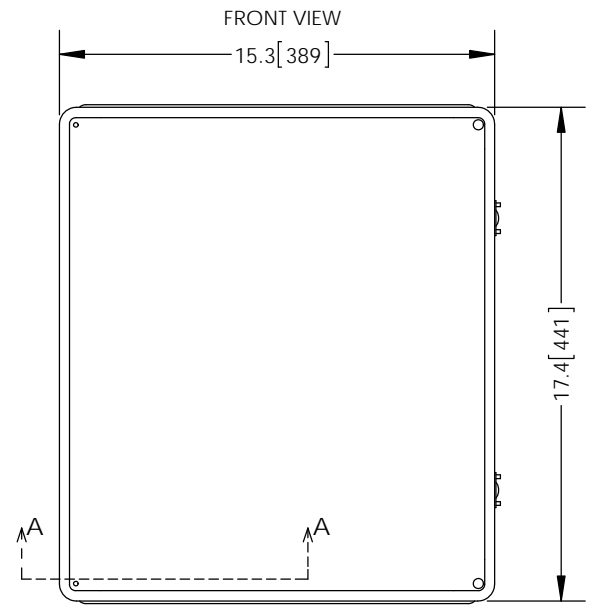


THE INFORMATION CONTAINED IN THIS DRAWING IS THE SOLE PROPERTY OF L-COM, INC. ANY REPRODUCTION IN PART OR WHOLE WITHOUT THE WRITTEN PERMISSION OF L-COM, INC. IS PROHIBITED.

REVISIONS			
REV	DESCRIPTION	DATE	APPROVED
A	INITIAL RELEASE	06/12/13	B.PUCHASKI



316 SS PADLOCKABLE LATCHES
Ø.375 PADLOCK EYE

MOUNTING PLATE AND SCREWS SHIPPED LOOSE WITH EACH ENCLOSURE

NOTES:

- ENCLOSURE MATERIAL-GRAY (RAL7035) HOT MOLDED FIBERGLASS REINFORCED POLYESTER
- NEMA RATED TYPE 3, 3R, 3S, 4, 4X, 12 AND 13 PRIOR TO MODIFICATIONS.
- IEC 529 RATED IP 66 PRIOR TO MODIFICATION.
- TEMPERATURE RANGE FROM -50 DEG C TO 150 DEG C.
- SELF EXTINGUISHING AND HALOGEN FREE.
- CABINETS ARE MAINTENANCE FREE AND CORROSION RESISTANT.
- SHALL BE PACKAGED AS PER L-COM SPEC PKG-00070
- ALL DIMENSIONS FOR REFERENCE ONLY

REGULATORY COMPLIANCE:
RoHS, CE

UNLESS OTHERWISE SPECIFIED, DIMENSIONS ARE IN INCHES [mm] DIMENSIONAL TOLERANCES: .X = ±.1 .XX = ±.01 .XXX = ±.005 ANGULAR TOLERANCES: ALL = ± 1° PROJECTION 	APPROVALS	DATE		45 BEECHWOOD DRIVE NORTH ANDOVER, MA 01845	
	DRAWN BY B.PUCHASKI	06/12/13			
	CHECKED BY P.PESA	06/12/13	CATEGORY	ENCLOSURE	
	APPROVED BY P.PESA	06/12/13	PRODUCT DESCRIPTION		NEMA ENCLOSURE 16 X 14 X 6 WEATHERPROOF W/BLANK PLATE NON-METALIC
	CONFIGURATION DETAILS OF UNDIMENSIONED FEATURES MAY VARY	SIZE A	FSCM NO. 43321	DWG. NO. NB161406-KIT01	REV. A
	COLOR VARIATIONS MAY OCCUR	SCALE: NONE	CAD FILE: NB161406-KIT01.SLDDRW	SHEET 1 OF 1	